



# aqu<sup>®</sup>lic



*natural* shower filter

**AQ-001SF**

[www.Aqulic.com](http://www.Aqulic.com)

# PRODUCT INTRODUCTION

The aqulic® natural shower filter is an easily fitted device that purifies the water in your shower, so that it feels like pure spring water is cascading over you.

## how does it work?

The aqulic® shower filter uses layers of different advanced purifying materials to remove all impurities from your water. You can see a diagram of these layers in this manual.

## what is removed from my water?

Chlorine, hydrogen sulphide, iron oxide, dust, sediment, odours, fungi and bacteria\*

## how to get started

Follow the instructions overleaf to install the Aqulic® shower filter to your shower. Run the water through the filter until the black carbon medium has disappeared. Now you're free to enjoy the pure water!

*Reversible filter cartridges have a life of 1 year for an average household of 2 people. To boost the performance, we recommend that the filter be changed every 6 months.*



SGS Laboratory test report

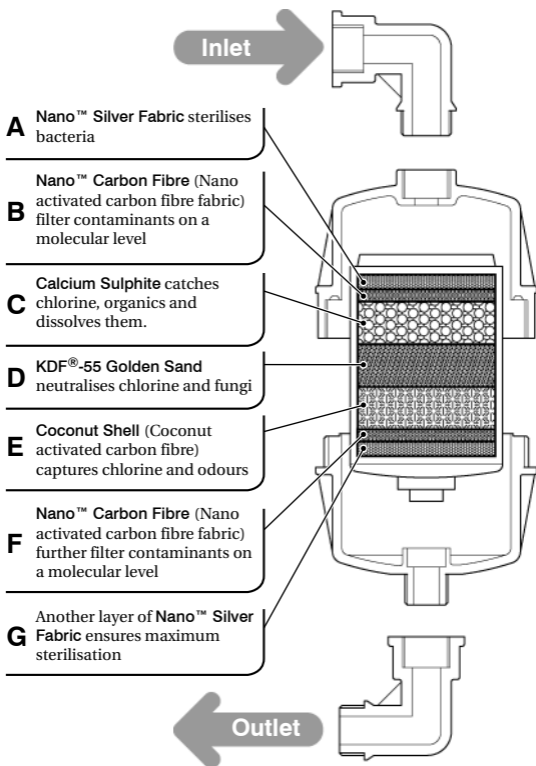
No.: RD/2005/80066; PX/2005/3006702; 493800



\* Staphylococcus aureus, Escherichia coli, Pseudomonas aeruginosa, Klebsiella pneumoniae and Candida albicans.

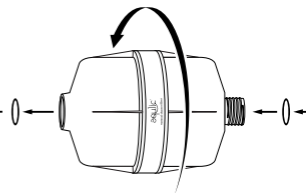
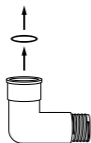
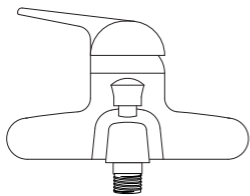
# INSIDE THE SHOWER FILTER

The water flows through the layers of different advanced filtration and emerges with impurities and bacteria removed.

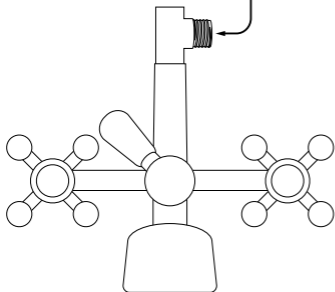


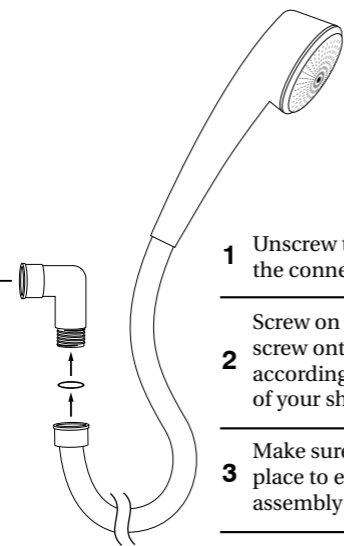
# INSTALLATION FOR BATHROOM TAPS

## Option 1) Modern tap



## Option 2) Traditional tap





**1** Unscrew the shower pipe from the connector

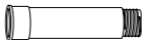
**2** Screw on the in-flow adaptor or screw onto filter directly, according to the configuration of your shower

**3** Make sure the rubber ring is in place to ensure that the assembly is water-tight

**4** Screw the shower pipe onto out-flow adaptor or onto filter directly, again ensuring the rubber ring is used.

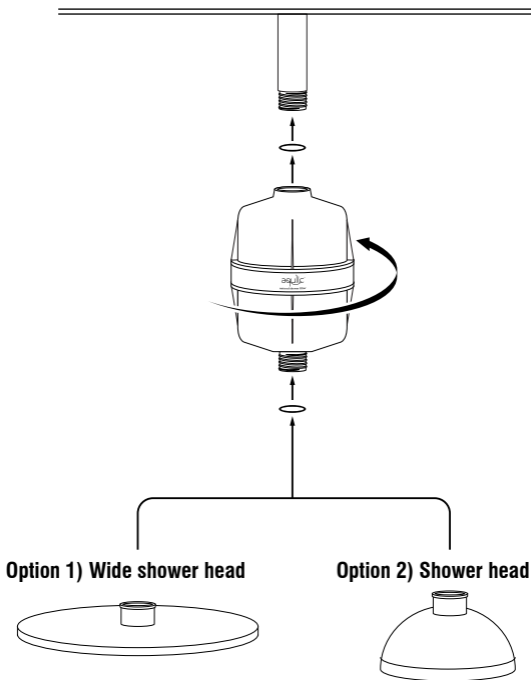
**5** Run the tap for 2 minutes until the water gets clear

- 1** Unscrew the shower head from the assembly
- 2** Screw on the filter directly, according to the configuration of your shower
- 3** Make sure the rubber ring is in place to ensure that the assembly is water-tight
- 4** Run the tap for 2 minutes until the water goes clear



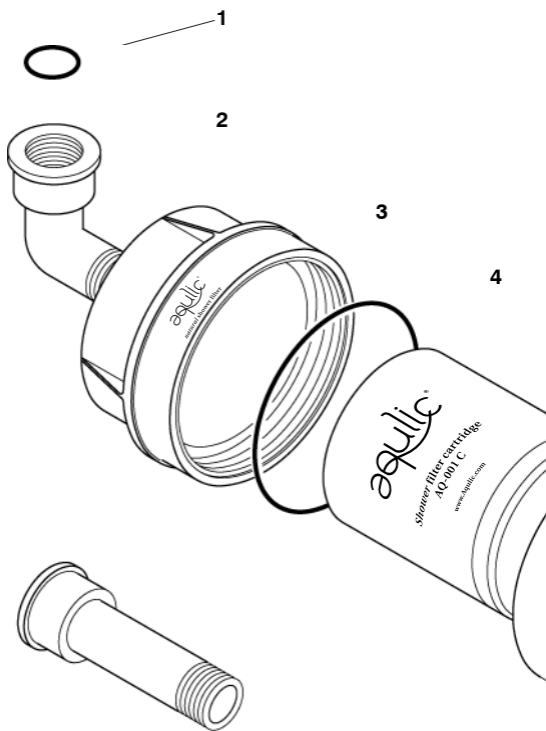
Use extension pipe if tap is too close to wall.

# INSTALLATION FOR WALL MOUNTED SHOWER

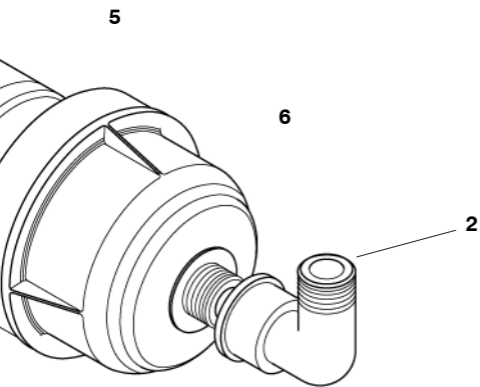


# SHOWER FILTER PARTS

Please ensure that you have all the necessary parts before proceeding with installation.



- 1** Rubber ring Ø13
- 2** Inlet/Outlet flow adaptor
- 3** Upper case
- 4** Rubber ring Ø72
- 5** Aqulic® filter cartridge (AQ-001C)
- 6** Lower case
- 7** Extension pipe 65.5mm





JNB International Ltd.  
International House,  
Cray Avenue, Orpington,  
Kent BR5 3RS

[www.J-N-B.co.uk](http://www.J-N-B.co.uk)

Tel: +44 (0) 870 777 3396 Fax: +44 (0) 0870 777 3397

E-mail: [info@J-N-B.co.uk](mailto:info@J-N-B.co.uk)

Copyright © 2006 JNB International, Limited. All rights reserved.  
No part of this manual may be used or reproduced in any manner whatsoever without written authorisation except in the case of brief quotation in critical articles and reviews.

Aqulic, Nano and Nano Technology are trademarks or registered trademarks of JNB International, Limited. KDF is registered trademark of KDF Fluid Treatment, Inc.